

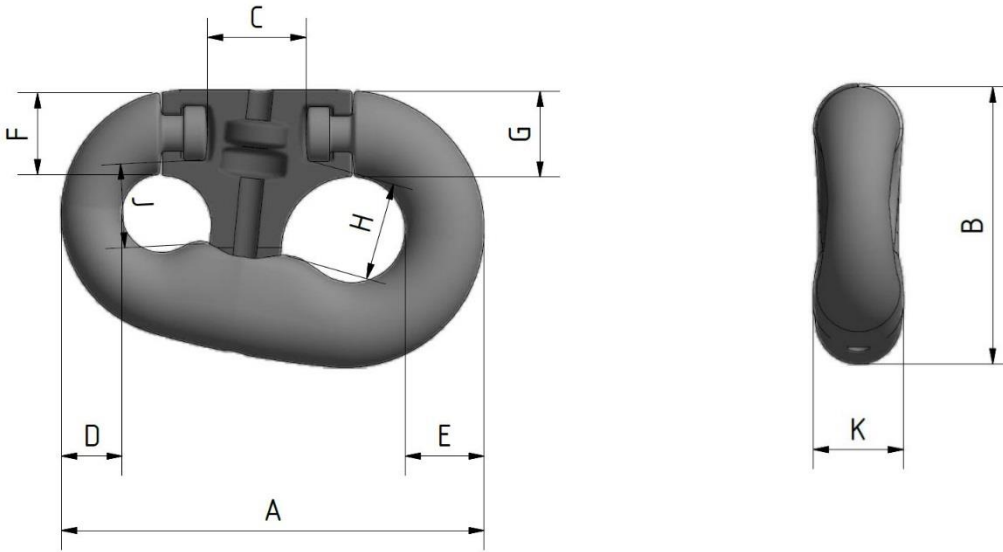
C-Links



Pear Link (Detachable Anchor Connecting Link – DAACL)

Type Approved by DNV-GL

Offshore accessory to be used for Temporary Mooring as defined in DNVGL-OS-E301, Position Mooring



No.	chain dia.	A	B	C	D	E	F	G	H	J	K	R4 PL kN	R4 MBL kN
4	32-40	298	206	88	40	48	43	58	80	52	59	1410	1789
5	42-51	378	262	100	51	64	60	76	100	69	85	2243	2845
6	52-60	446	337	129	64	81	74	95	115	77	113	3048	3867
7	62-79	565	373	156	83	93	91	112	123	86	127	5079	6443
8	81-92	652	429	161	95	125	118	130	149	108	145	6699	8497
10	97-102	855	578	195	125	168	150	182	179	143	204	8054	10217



Type approved by: **DNV-GL**
 Application: **Temporary Mooring**
 Manufactured & Tested: **in Germany by Feubo**
 Material: **Forged Steel - Grade R4**
 Features: **Used to connect chain in Temporary Mooring as defined in Offshore Standard DNV-GL-OS-E301**